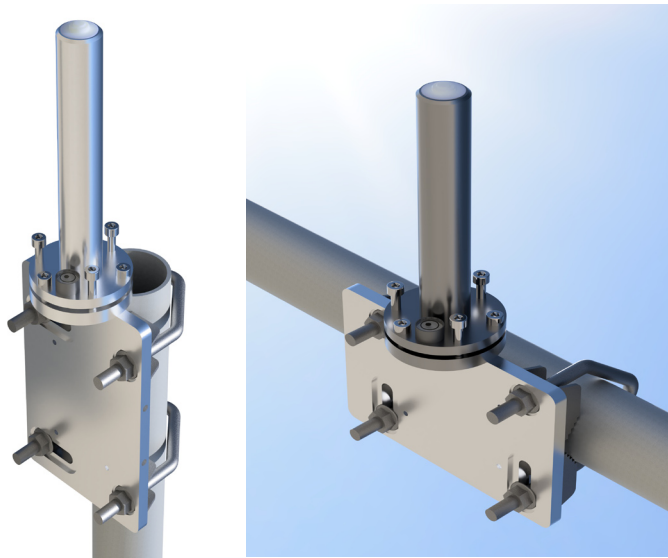


UV Sensor "UVI-Solo"

Pole or railings mounted UV sensor for UV-Index measurements

GENERAL FEATURES



The UVI-Solo is a waterproof pole or railings mounted high accuracy UV-Index sensor. The integrated leveling mechanism allows a precise zenith alignment. The measurement uncertainty of this sensor is 5% only. The spectral responsivity and the field of view (cosine type) are in near perfect accordance with the requirements defined in the ISO 17166 standard. The sensor contains integrated electronics and is shielded against electromagnetic interference. This product bases on the UV index probe "sglux ERYCA" and enhances this probe to a ready-to-install system.

Our product "Autonomous UV-Index-Transmitter" enhances the UVI-Solo to a ready-to-go system that includes a solar cell powered data transfer via mobile data to a central server. The sensor "UVI-Solo" is configured with voltage output of 0 to 10 V. The UV sensor is available with a PTB traceable calibration.

SPECTRAL RESPONSIVITY

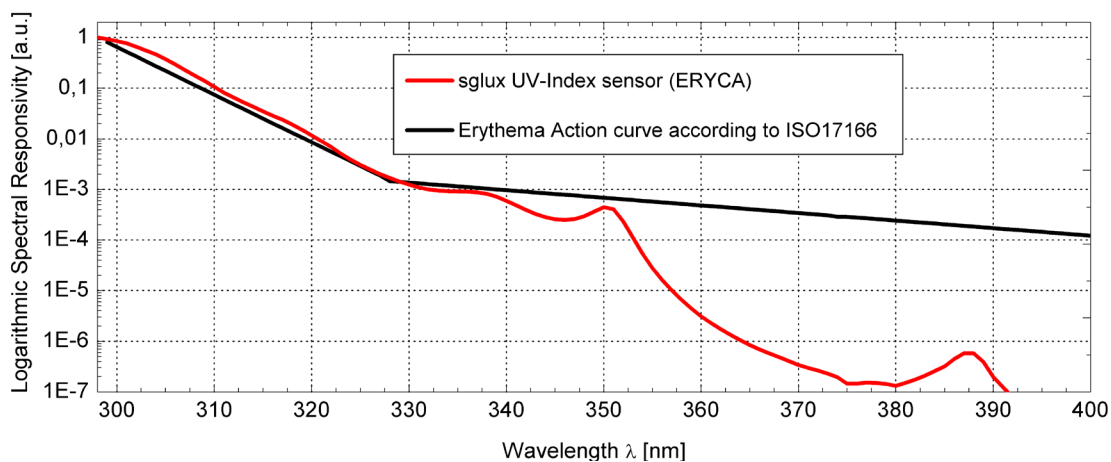


Figure 1: spectral responsivity of the UVI-Solo compared with the Erythema action curve as defined by ISO 17166

UV Sensor "UVI-Solo"

Pole or railings mounted UV sensor for UV-Index measurements

GENERAL SPECIFICATIONS

▶ 2/3

<i>Fixed Specifications</i>	Parameter	Value
	Dimensions	Please refer to drawing on page 3.
	Field of view	Please refer to graph on page 3.
	Weight	375 g
	Temperature coefficient (30 to 65°C)	0.05 to 0.075%/K
	Operating temperature	-20 to +80°C
	Storage temperature	-40 to +80°C
	Humidity	< 80%, non condensing
	Time constant	0.1s +/-20% - other time constants on request, device has 1st order low pass characteristics
	Spectral Responsivity	UV-Index as defined by ISO 17166
	Measurement range	UVI 0 ... 30
	Ingress protection code	IP67

SIGNAL OUTPUT SPECIFICATIONS

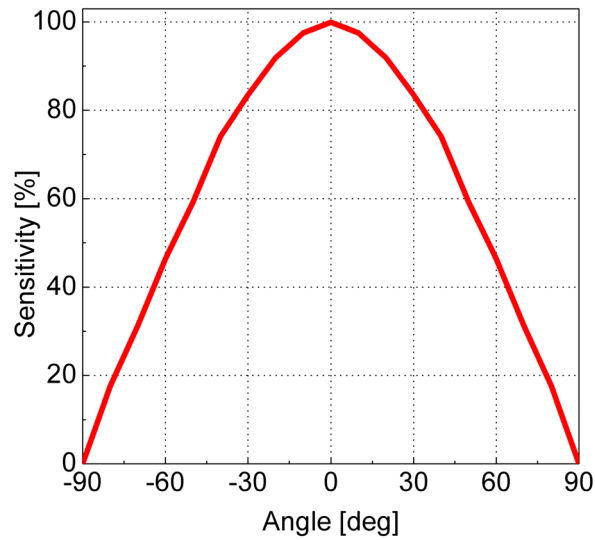
Signal Output 0 to 10V	proportional to the UVI
Supply voltage	12 to 24 VDC
Current consumption	< 30mA
Connections	2m cable version: V-=brown, V+=white, V _{OUT} =green, shield=black plug version: not available
Dark offset voltage	< 0.3 mV

UV Sensor "UVI-Solo"

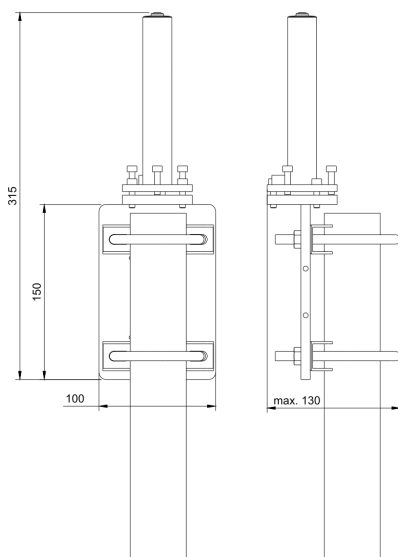
Pole or railings mounted UV sensor for UV-Index measurements

FIELD OF VIEW

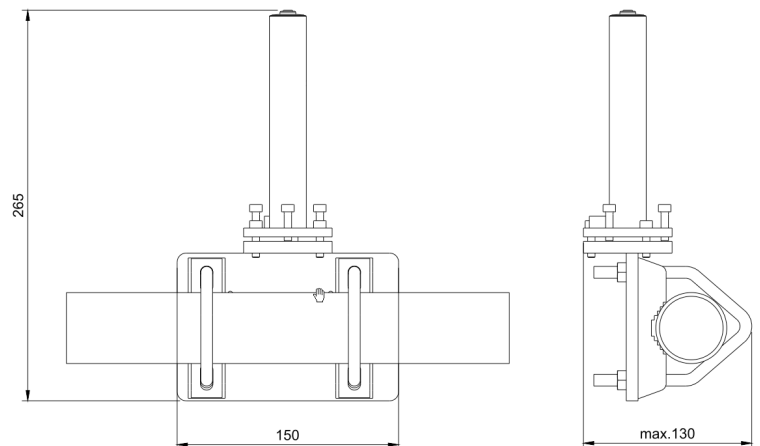
▶ 3/3



DRAWING (values in mm)



Drawing of mast mounted sensor



Drawing of rail mounted sensor